

THIS DRAWING IS AN UNCONTROLLED COPY UNLESS STAMPED OTHERWISE

CONTRACTOR SHALL VERIFY DIMENSIONS BEFORE ANY JOB COMMENCES. ALL SHOP DRAWINGS SHALL BE SUBMITTED TO THE SUPERINTENDENT AND MANUFACTURE SHALL NOT COMMENCE PRIOR TO THE RETURN OF SHAPED/WORK DRAWINGS ISSUED BY THE CONSULTANT. DIMENSIONS SHALL TAKE PRECEDENCE OVER SCALES. THIS DRAWING SHOULD BE READ IN CONJUNCTION WITH ALL RELEVANT CONTRACT SPECIFICATIONS AND DRAWINGS COPYRIGHT OF THIS DRAWING IS VESTED IN WARDLE.

General Notes ALL JOINERY TO REFER TO INTERIOR ELEVATIONS (AR7100 SERIES)

18mm E1 MDF CARCASS THROUGHOUT UNLESS OTHERWISE NOTED.  
ALL NON EXPOSED CARCASS TO BE MATCHING LAMINATE UNLESS OTHERWISE NOTED.

ALL NON EXPOSED CARCASS TO BE BLACK LAMINATE TO JOINERY RECEIVING TIMBER VENEER FINISH. REFER MATERIALS SCHEDULE [PL-05]

ALL NON EXPOSED CARCASS TO BE WHITE LAMINATE TO JOINERY RECEIVING STAINLESS STEEL CLADDING. REFER MATERIALS SCHEDULE [PL-01]

ALL EXPOSED EDGES TO TIMBER VENEER PANELS TO RECEIVE 3mm THK MATCHING SOLID EDGES UNLESS OTHERWISE NOTED.

SPLIT BATTENS TO BE 12mm UNLESS OTHERWISE NOTED.

APPLY MATCHING LAMINATE ABS EDGING TO LAMINATED BENCHTOPS UNLESS OTHERWISE NOTED.

REFER TO '1300 - MATERIALS SCHEDULE' FOR A DESCRIPTION OF THE MATERIAL CODES AS SHOWN ON THIS DRAWING. [TV-01]

REFER TO '1400 - FIXTURES, FITTINGS & EQUIPMENT SCHEDULE' FOR A DESCRIPTION OF THE FF&E CODES AS SHOWN ON THIS DRAWING. [JH-02]

ALL JOINERY LOOKS TO BE [JH-02] UNLESS OTHERWISE NOTED.

REFER TO DRAWING AR7300 FOR MOUNTING HEIGHTS FOR ALL SERVICES FIXTURES UNLESS OTHERWISE DIMENSIONED ON THE JOINERY ELEVATIONS.

ALL CORNER JUNCTIONS TO BE MITRED UNLESS OTHERWISE NOTED.

ALL UPHOLSTERY STITCHING TO MATCH FABRIC COLOUR UNLESS OTHERWISE NOTED.

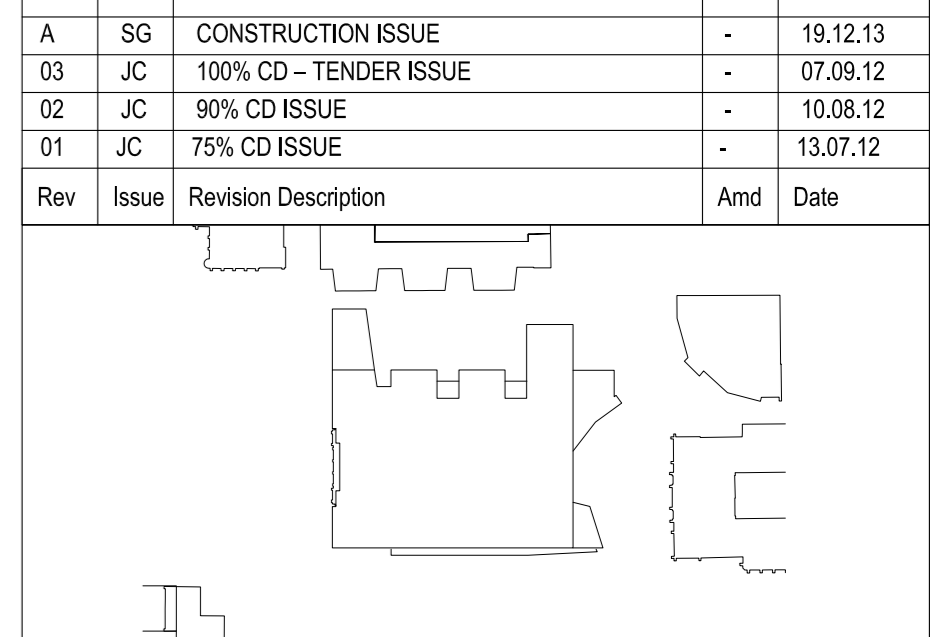
DRAWINGS TO BE READ IN CONJUNCTION WITH AR1200 SERIES INTERNAL ARRANGEMENT PLANS TO COORDINATE FIXINGS INTO PARTITIONS WHERE NECESSARY.

FS = FIXED SHELF  
AS = ADJUSTABLE SHELF  
FP = FIXED PANEL  
PJ = PANEL JOIN. MAXIMUM WIDTH 2mm

C.O.S = CHECK ON SITE - DIMENSIONS MUST BE VERIFIED ON SITE BY CONTRACTOR PRIOR TO COMMENCEMENT OF CONSTRUCTION.

NOM. = NOMINAL  
TYP. = TYPICAL  
SIM. = SIMILAR  
MIR. = MIRROR  
FCL = FINISHED CEILING LEVEL  
FSL = FINISHED FLOOR LEVEL  
SSL = STRUCTURAL SLAB LEVEL  
C = CENTRELINE  
D = DIRECTION OF GRAIN / LINSH

Rev	Issue	Revision Description	Amd	Date
A	SG	CONSTRUCTION ISSUE	-	18.12.13
03	JC	100% CD - TENDER ISSUE	-	07.09.12
02	JC	90% CD ISSUE	-	10.08.12
01	JC	75% CD ISSUE	-	13.07.12



**NADAAA**  
NADAAA  
1520 Washington Street No.2 Boston Massachusetts 02118 USA  
Telephone +1 617 442 2232  
Facsimile +1 604 442 1417  
Email nadaa@nadaaa.com

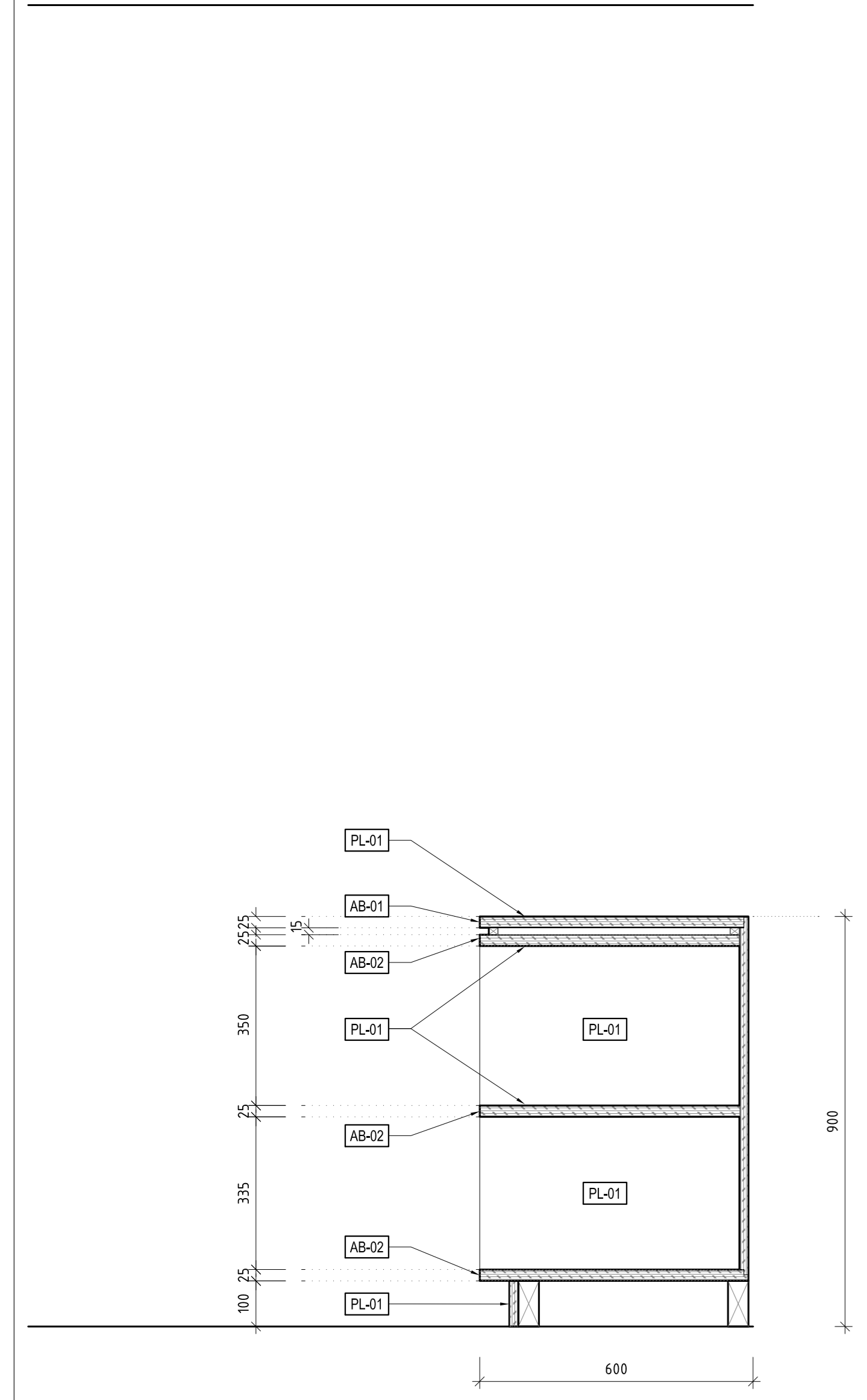
**John Wardle Architects**  
© 2011 John Wardle Architects  
Level 10, 180 Russell Street, Melbourne Victoria 3000 Australia  
Tel : +613 9654 8700 www.johnwardlearchitects.com

Client **University of Melbourne Parkville Campus**  
Project **Faculty of Architecture Building and Planning**

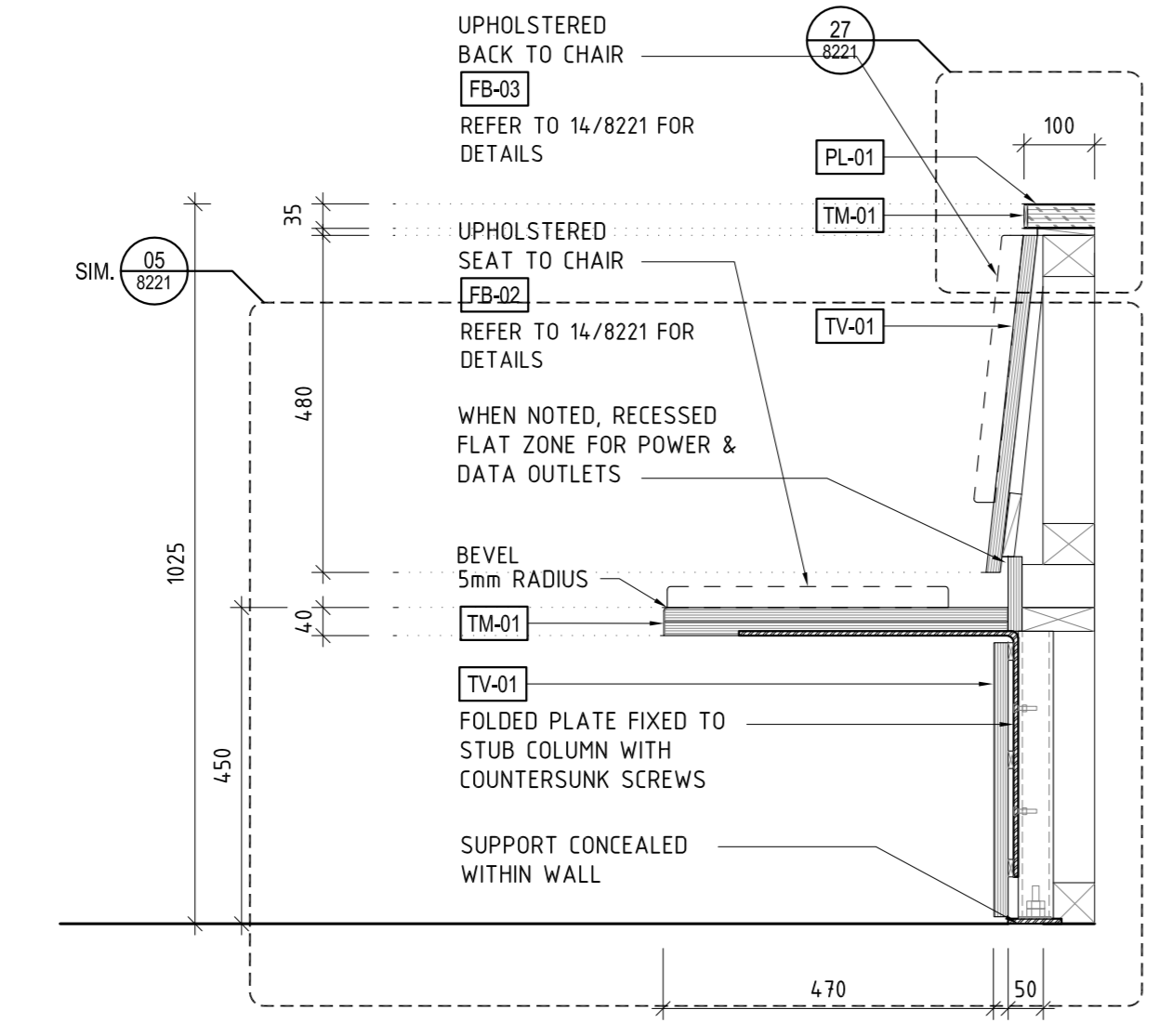
Title **JOINERY DETAILS L03**

Project No. **0913** Scale 1:10 @ A0  
Drawing No. **AR8203** Revision **A**  
Date DEC 2013 Dwn - Co-Ord - Chk -

FILENAME - ###  
**FOR CONSTRUCTION**

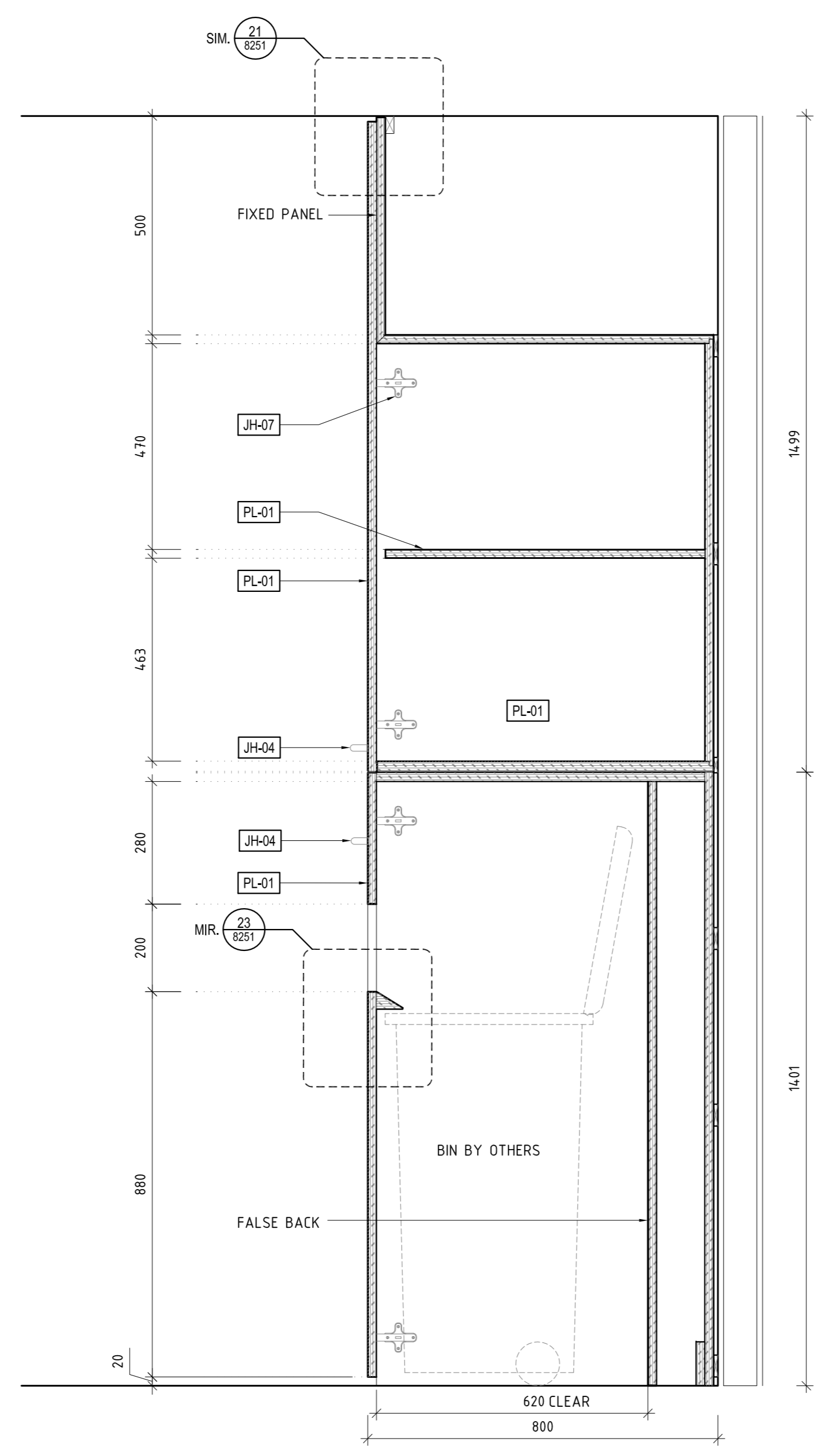


10 J03-23-SECTION  
SCALE 1:10



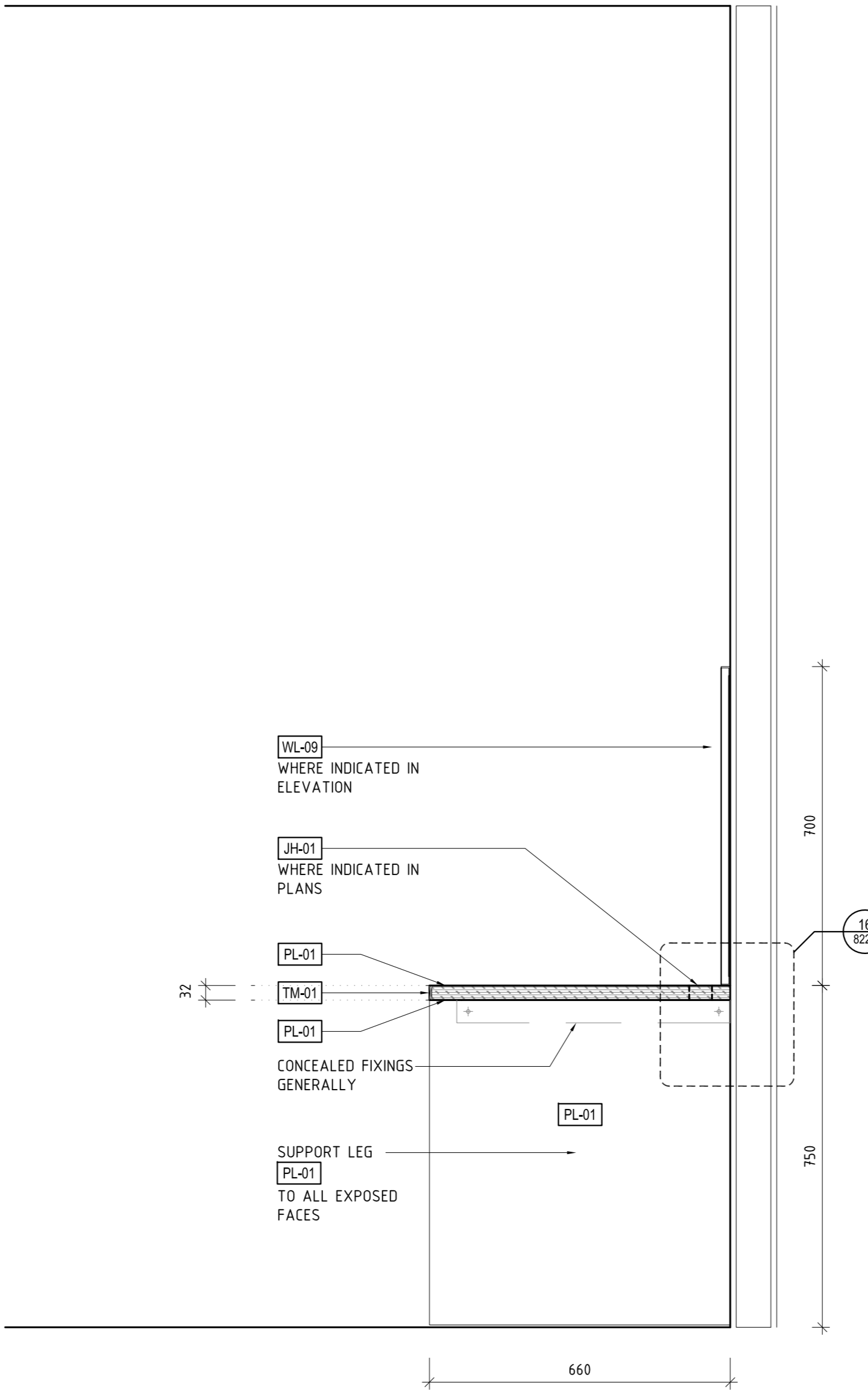
09 J03-08A - SECTION  
SCALE 1:10

J02-20 SIMILAR  
J02-22 SIMILAR  
J03-21A SIMILAR  
J03-22A SIMILAR  
J03-22D SIMILAR



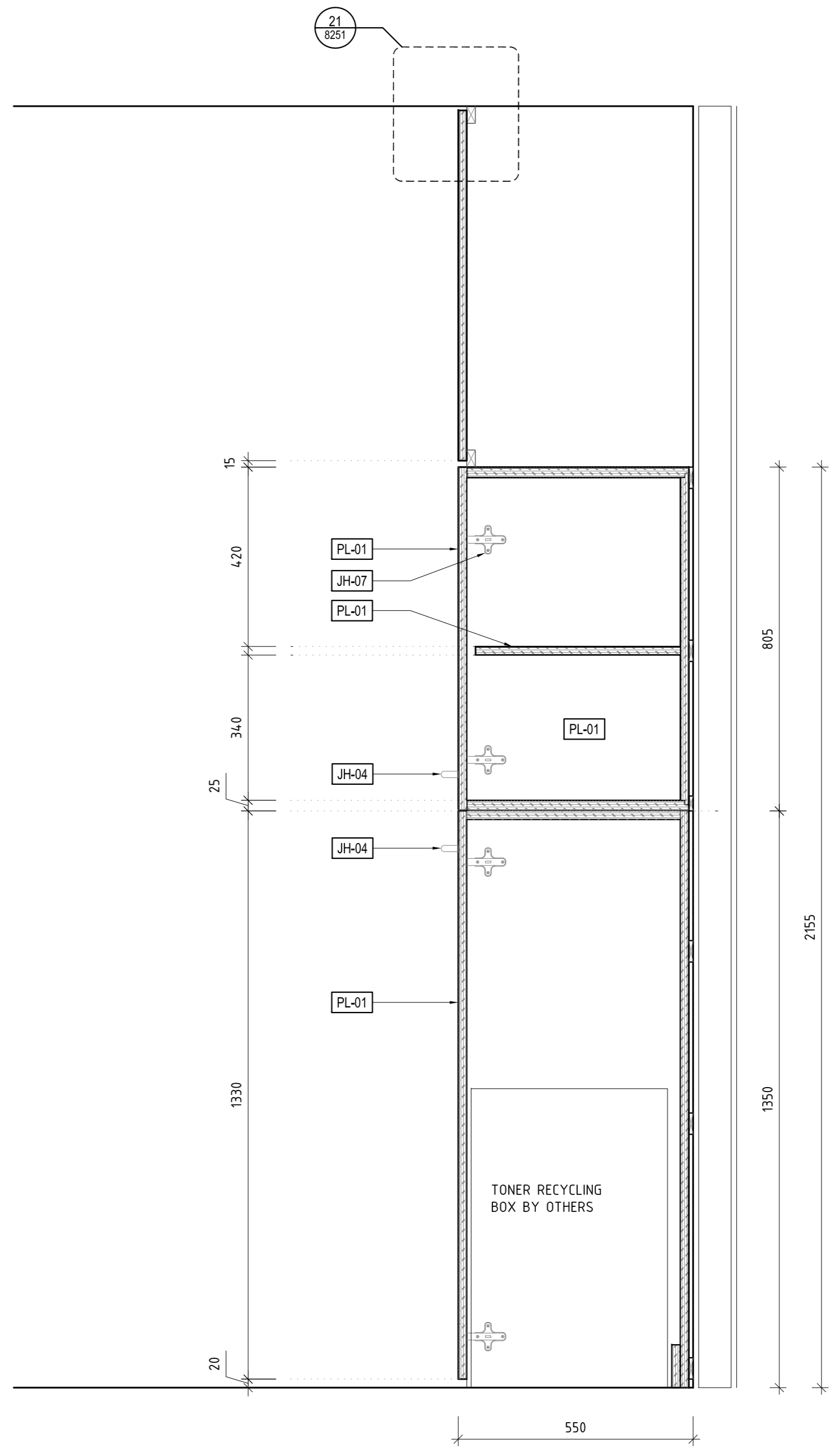
08 J03-18-SECTION  
SCALE 1:10

J02-06 SIMILAR  
J04-07 SIMILAR  
J03-04 SIMILAR



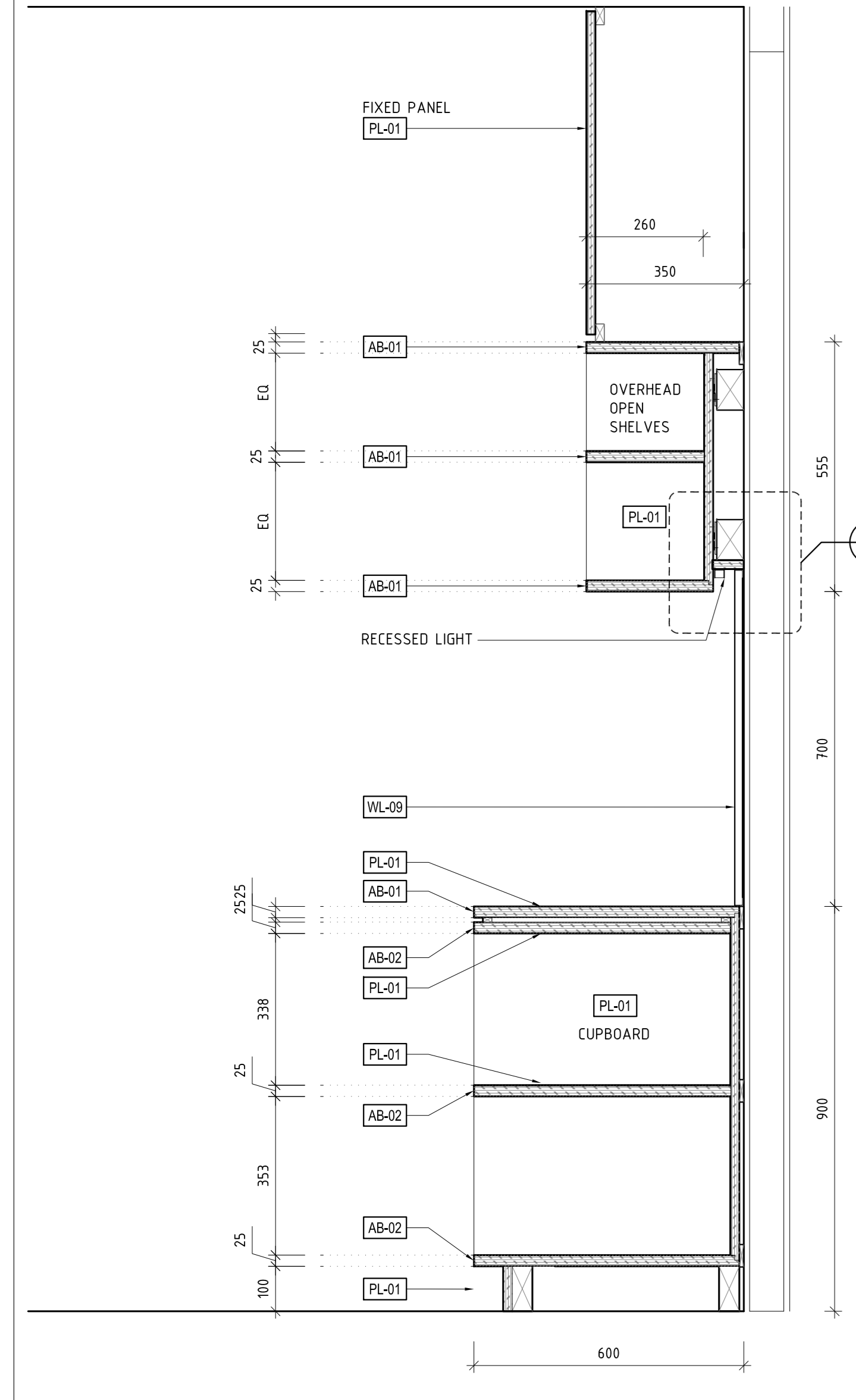
07 J03-07-SECTION  
SCALE 1:10

J02-01 SIMILAR  
J02-09 SIMILAR  
J02-35 SIMILAR  
J03-01 SIMILAR  
J03-03 SIMILAR  
J03-15 SIMILAR  
J04-06 SIMILAR  
J04-10 SIMILAR



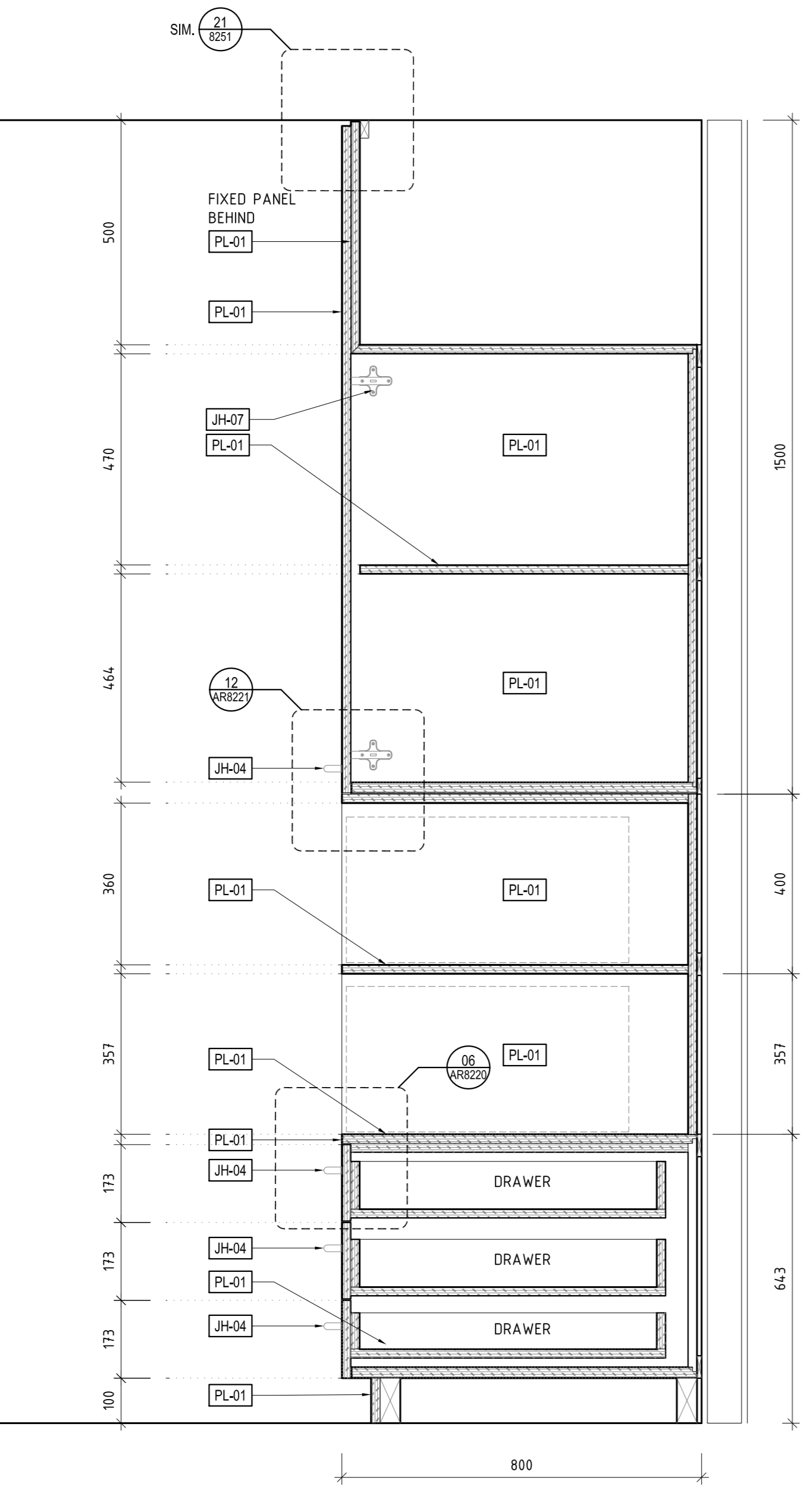
06 J03-04-SECTION  
SCALE 1:10

J04-15 SIMILAR

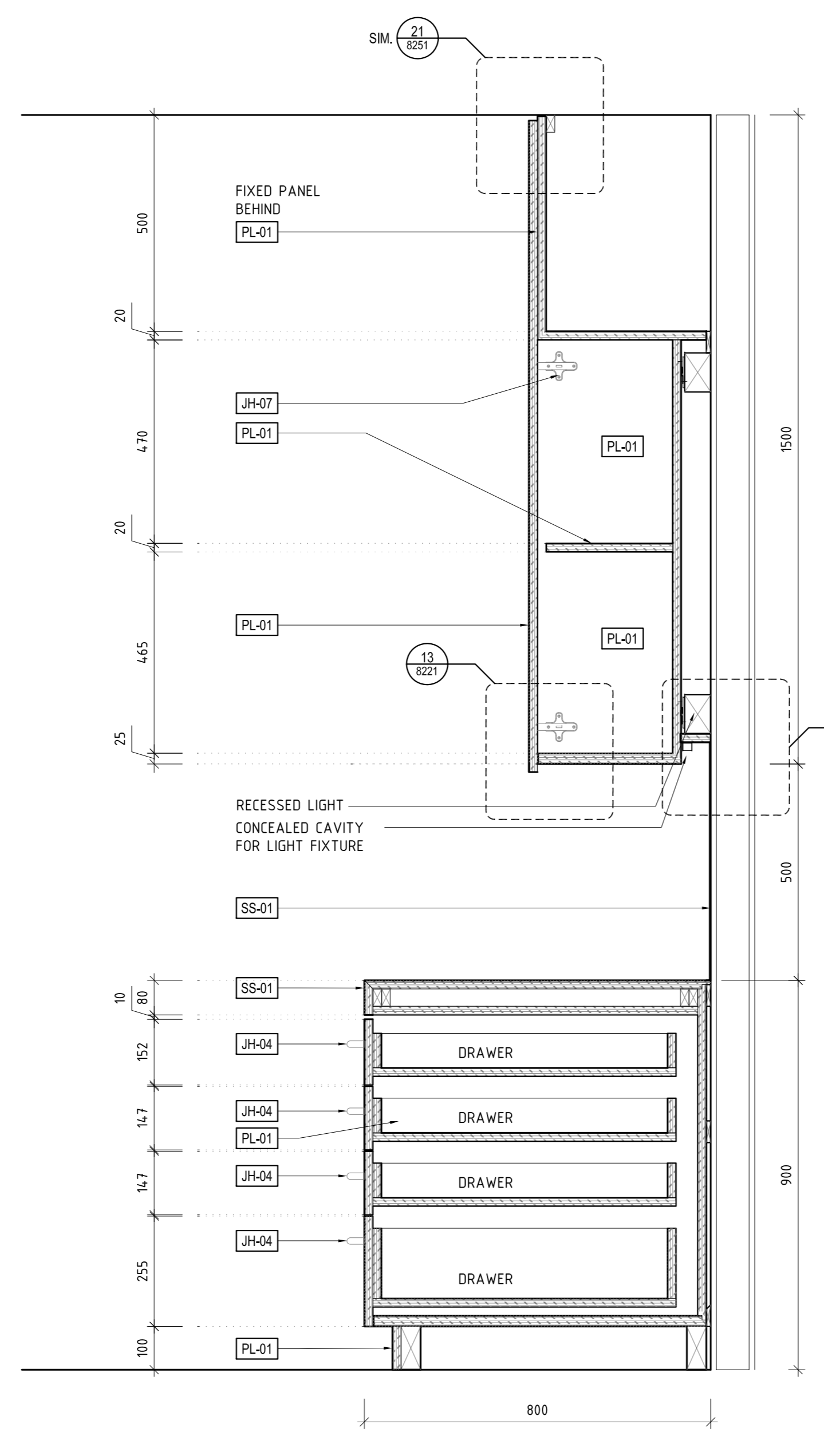


05 J03-04-SECTION  
SCALE 1:10

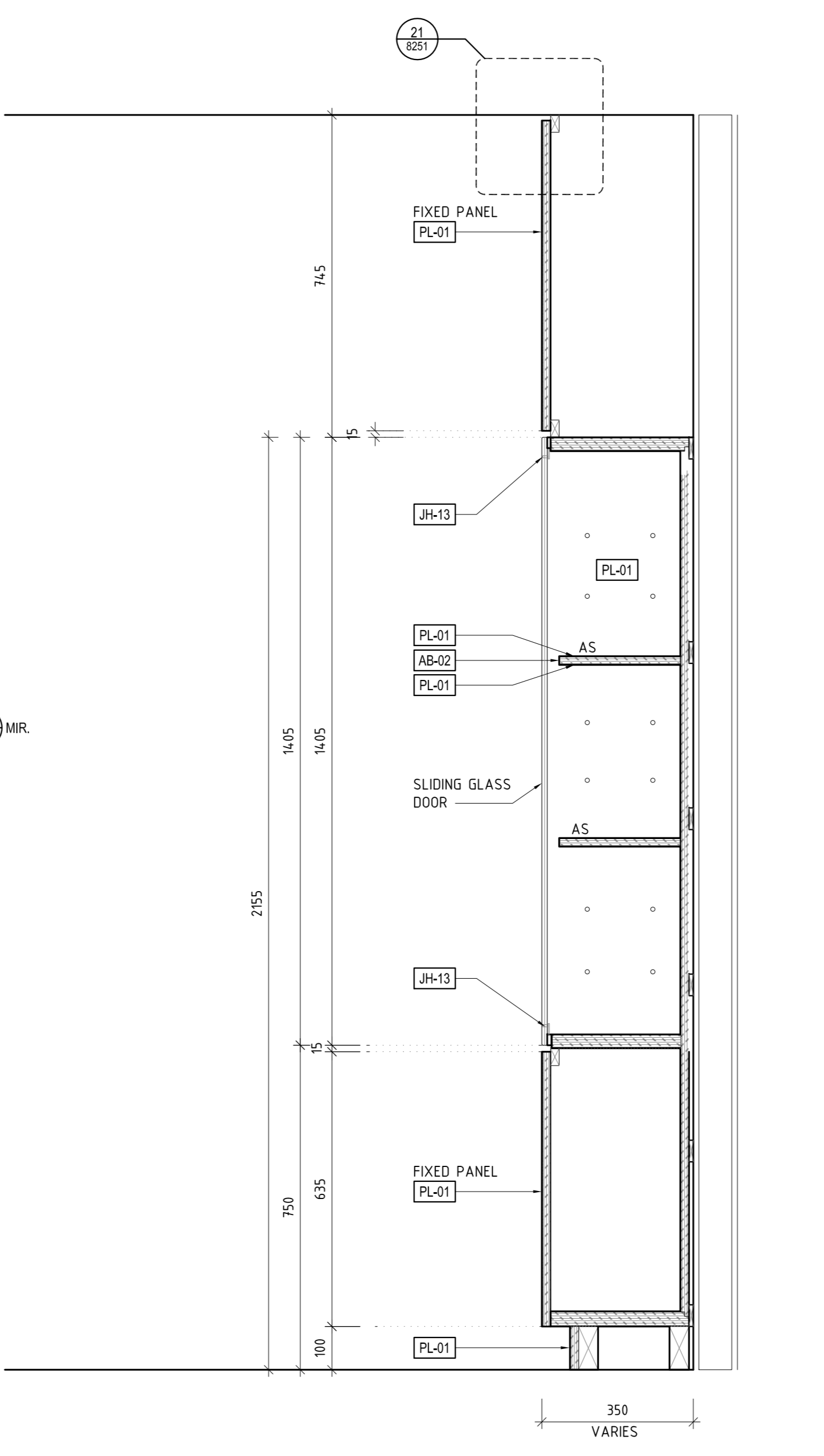
J04-15 SIMILAR



04 J03-18-SECTION  
SCALE 1:10

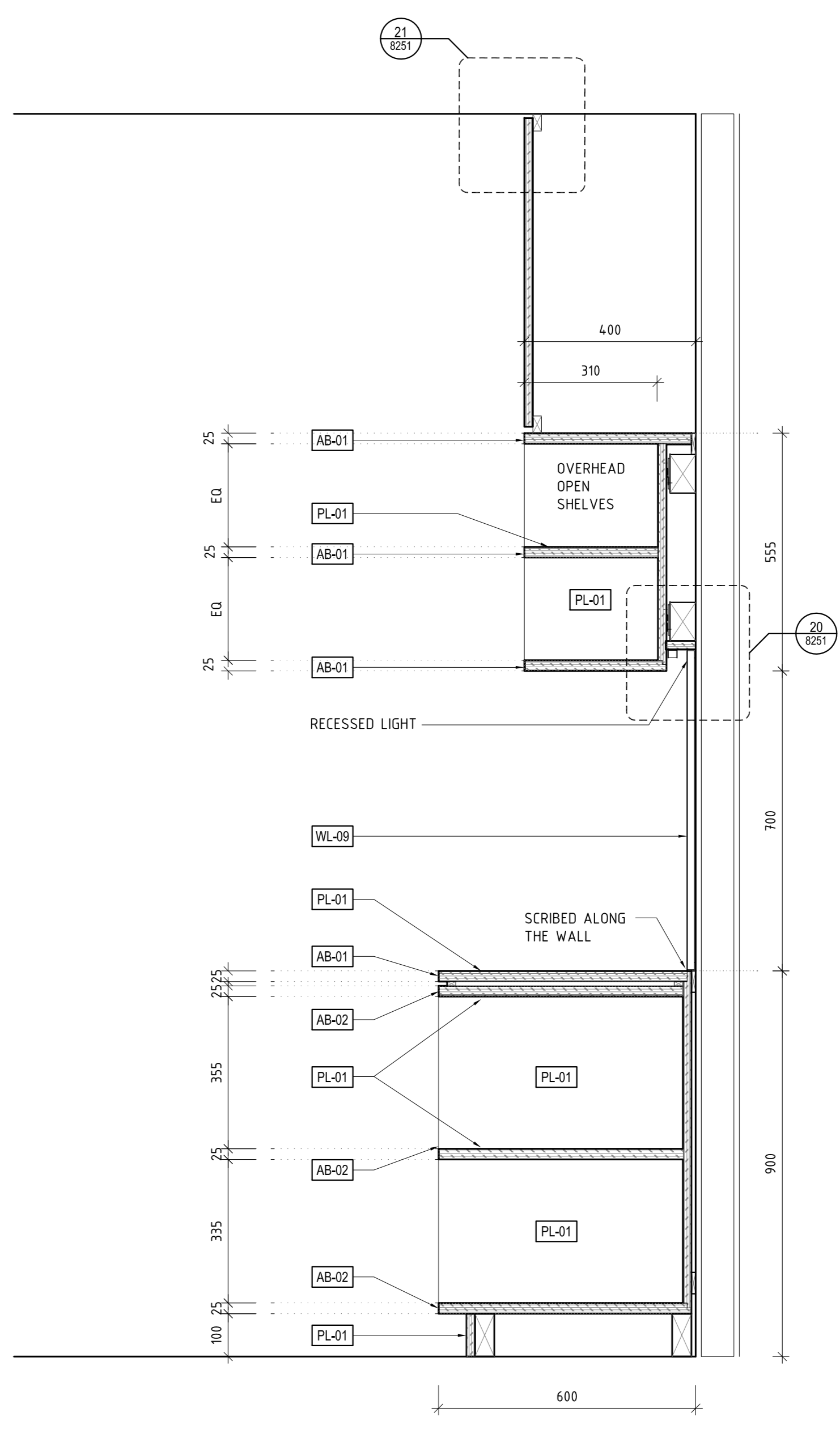


03 RHDS LOUNGE  
J03-18-SECTION  
SCALE 1:10



02 WORKSPACE  
J03-09-SECTION  
SCALE 1:10

J02-10 SIMILAR  
J04-14 SIMILAR  
J04-16 SIMILAR  
J03-10 SIMILAR



01 PROF. WORKSPACE-HR/FIN/RES  
J03-20-SECTION  
SCALE 1:10

J03-20 SIMILAR